

AGM-3370 series

Ambient Gas Monitor



EPCC / PRODUCTS / APPLICATION / SOFTWARE / ACCESSORIES / CONSUMABLES / SERVICES

Analytical Technologies Limited

An ISO 9001 Certified Company

www.analyticalgroup.net

►► Features

- **Automatic calibration**

Troublesome calibration procedures have been reduced to the push of a function key. At the Auto-Interval Calibration (AIC) menu you can set the start time, the start range, and the interval for the automatic calibration. The system clock and calendar then assure that your calibration instructions are executed precisely. To make things even easier, remote auto-calibration can also be done from your own computer, via the monitor's RS-232C serial port (optional).

- **Auto-range function**

An auto-range function that automatically switches to the range best suited to the object gas concentration for both momentary and average values is included as a standard feature. As an option, even when randomly set to any range (within 10 times the range ratio), the auto-range function can still be used. Switching over from auto-range to manual range is a simple task.

- **Selective data output**

For each component measured, the system provides four types of data: momentary values, integrated values, moving averages, and simple averages. Any two these data may be output. Simultaneously to any two external devices. The time-span for both average and integrated values may be specified (i.e., when the momentary value has not been selected). With the simple average values, three different time settings can be specified.

- **Storing data in memory**

Four different values may be stored in memory: three simple averages and the integrated value.

For example:

- ▲ Average value #1 (3 min) → 1,000 data sets
- ▲ Average value #2 (30 min) → 1,000 data sets
- ▲ Average value #3 (3 h) → 100 data sets
- ▲ Integrated value (1 h) → 1,000 data sets

- **Network Communications (option)**

Serial communication is available through RS-232C serial port connected on the rear panel. The serial port makes analyzer data available using ATL proprietary serial communication protocol, and can be easily converted to RS485 for network data collection. Ethernet communication is available through an optional port using TCP/IP protocol.

- **Memory card for data management (option)**

An available CompactFlash can save average or integrated value, and read and collect data for off-line analysis. With the CF it is possible to conveniently use the analyzer in a stand-alone mode.

- **Readout view, concentration and mass**

The front panel can display the readout all that is needed concentration (ppm or ppb) and mass (mg/m³ or µg/m³). (Not available on Model AGM THC-3370, where CH₄ values are displayed as ppm, NMHC and THC as ppmC.)

- **Easy-to-read, 320×240 dot LCD display with touch panel screen.**

The adoption of full graphic LCD for the touch screen offers a large, easy-to-use display and user friendly, interactive operation. This user interface facilitates maintenance with displays such as the graph of lamp intensity (applicable for model AGM O₃-3370 and AGM SO₂-3370 only), remaining time before replacement of pumps, valves, source lamp and converters. It also allows you to save average value, data, integrated value alarm history and calibration history.

- **Minimal influence from interference components and ambient temperature**

These monitors use ATL innovative detection technology and sampling method for outstanding sensitivity. The influence from interference components is minimal and results are very stable over long periods of measurement.

- **Input/output via RS-232C port (option)**

The system's RS-232C serial port can be used to transmit measured values, alarms, and other data to remote equipment. It can also be used to input changes to parameter settings and other data.

- **At last---- a small, compact system**

A small, light-weight unit for each component to be measured fits neatly into a 19-inch rack. This makes it easy to up-grade your system in the future. This new design offers great savings in valuable lab space.

Ambient Gas Monitor (CO) AGM CO - 3370



►► Features

- The cross flow modulation type, infrared-absorption technology eliminates the need for adjusting optical alignment. For the user, this means very stable and sensitive (5 ppm F.S.) measurements.
- The AGM CO-3370 uses an AS type (antishock) interference-compensating detector, and a purified reference gas.
The reference gas is generated by purging the sample through an oxidation process, where an oxidizing catalyst burns the CO to CO₂. These features eliminate interference from other elements, resulting in highly accurate measurements.
- The AGM CO-3370 does not use such components as reflecting mirrors, that attract foreign matter. This means the optical bench stays clean assuring you of stable results over long periods of time.

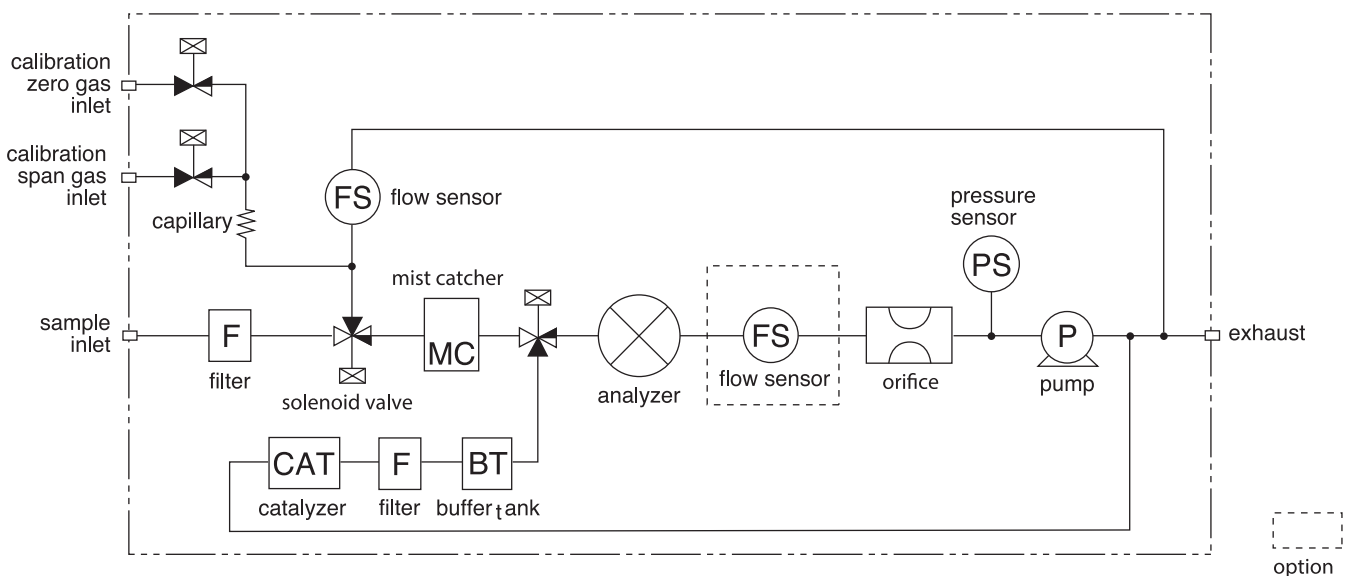
►► Principle

◆ Cross flow modulation, Infrared (NDIR) absorption technology

Conventional technology uses an optical chopper to obtain modulation signals. Instead, the AGM CO-3370 uses solenoid valve cross flow modulation. Fixed amounts of the sample gas and the reference gas are injected alternately into the measurement cell. With the cross flow-modulation method, if the same gas is used for both the sample gas and the reference gas (e.g., zero gas could be used for both), no modulation signal will be generated. This has the great advantage that, in principle, when analyzing minute amounts of gas there is no generation of zero-drift. An additional advantage is that the elimination of rotary sectors precludes the need for optical adjustment. These features assure greatly improved stability over long periods of measurement. A further improvement is that in the front chamber of the detector, the measurable components, including interference components, are detected; in the rear chamber, only interference components are detected. By means of subtraction processing, the actual signal obtained is one that has very little interference.

►► Specification

Principle:	Cross flow modulation, non-dispersive infrared (NDIR) absorption technology
Application:	CO in ambient air
Range:	Standard ranges: 0-10/20/50/100 ppm; 0-5/10/20/50 ppm; auto range ~ manual range selectable; can be operated by remote switching. Optional (measurable) ranges: 4 ranges selectable from 0-100 ppm, within 10 times range ratio; auto range ~ manual range selectable; can be operated by remote switching.
Lower detectable limit:	0.02 ppm (3 sigma)
Repeatability:	±1.0% of F.S.
Linearity:	±1.0% of F.S.
Zero drift:	<LDL/day at lowest range <0.2 ppm/week at lowest range
Span drift:	<LDL/day at lowest range ±1.0% F.S./week
Response time (T ₉₀):	Within 50 sec at lowest range
Sample gas flow rate:	Approx. 1.5L/min
Indication:	Measured value, range, alarm, maintenance screen
Alarms:	During AIC, zero calibration error, span calibration error, temperature error in catalyzer, etc.
On-screen messages are available in four languages:	English, German, French, and Japanese.
Input/output:	0-1 V/0-10 V/4-20 mA, to be specified (2 systems: either (1) momentary value and integrated or (2) moving average value) •Contact input/output •RS-232C (option)
Ambient temperature:	5-40°C
Power:	100/110/115/120/220/230/240 VAC, 50/60 Hz (to be specified)
Dimensions:	430(W)×550(D)×221(H) mm
Mass:	Approx. 16 kg,



Ambient Gas Monitor (SO₂)

AGM SO₂ - 3370



►► Features

- The AGM SO₂-3370 uses an innovative detector and a new optical system for low background, high sensitivity (0.05ppm F.S.), and greatly improved stability.
- The fluorescent chamber design gives measurements with minimum influence from moisture.
- The unit has built-in aromatic hydrocarbon cutter with a selective transmission membrane. This reduces the influence of interference components. Coupled with ATL unique flow-path, it also makes it possible to extend the working life of the cutter and to take measurements effects of sample flow variations.
- In comparison with the FPD method, the APSA-370 design is (1) highly selective for SO₂, (2) requires no supplemental gas, and (3) gives linear output.
- Compensation for the lamp's luminous energy decline guarantees prolonged calibration stability.
- The sample inlet has a built-in PTFE filter.

►► Principle

◆ UV fluorescence

The UV fluorescence method operates on the principle that when the SO₂ molecules contained in the sample gas are excited by ultraviolet radiation they emit a characteristic fluorescence in the range of 220-420 nm. This fluorescence is measured and the SO₂ concentration is obtained from changes in the intensity of the fluorescence.

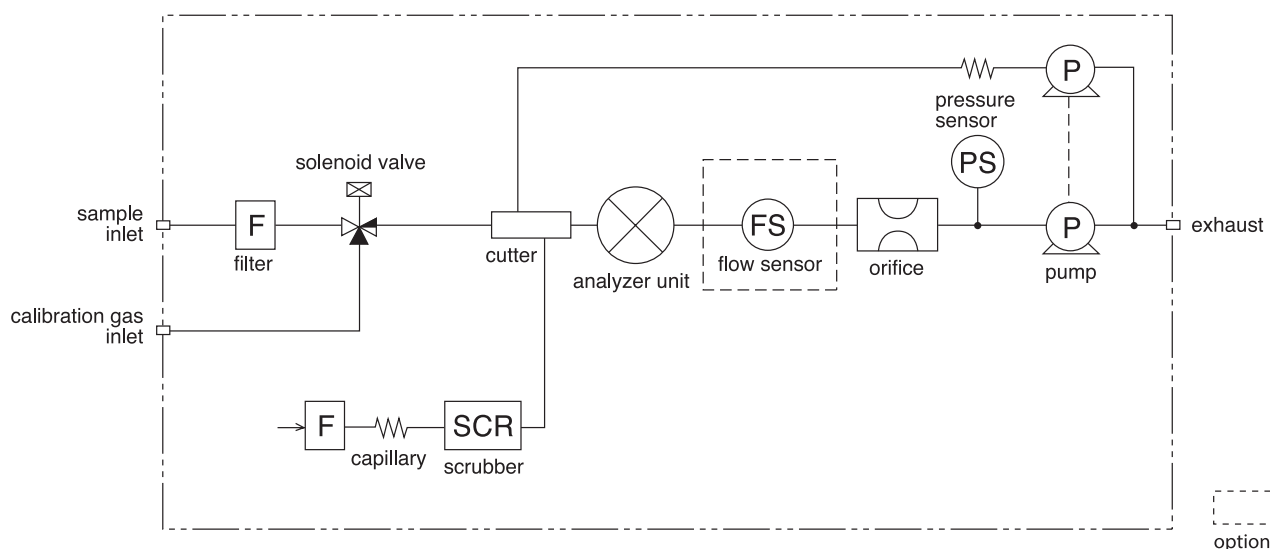
The reactive mechanism is

- (1) $\text{SO}_2 + h\nu_1 \rightarrow \text{SO}_2^*$
- (2) $\text{SO}_2^* \rightarrow \text{SO}_2 + h\nu_2$
- (3) $\text{SO}_2^* \rightarrow \text{SO} + (\text{O})$
- (4) $\text{SO}_2^* + \text{M} \rightarrow \text{SO}_2 + \text{M}$

Here, (1) shows the excited state of the SO₂ molecules that have absorbed the amount of energy $h\nu_1$ by ultraviolet radiation. (2) shows the amount of energy, $h\nu_2$ emitted by the excited molecules as they return to the ground state. (3) shows the decomposition by the light emitted from the excited molecules. (4) shows the quenching, i.e., the energy lost by the excited molecules colliding with other molecules. The AGM SO₂-3370 uses an Xe lamp as the light source, and the fluorescent chamber design minimizes scattered light. The optical system has been carefully designed with low background light, making it possible to take measurements with a highly stable zero point. In addition, a reference detector monitors any fluctuation in the intensity of the light source. This allows the unit to calibrate itself automatically for sensitivity, resulting in greater span stability.

►► Specification

Principle:	UV fluorescence (UVF)
Application:	SO ₂ in ambient air
Range:	Standard ranges: 0-0.05/0.1/0.2/0.5 ppm; auto range ~ manual range selectable; can be operated by remote switching. Optional (measurable) ranges: 4 ranges selectable from 0-100 ppm, within 10 times range ratio; auto range ~ manual range selectable; can be operated by remote switching.
Lower detectable limit:	0.5 ppb(3 sigma)
Repeatability:	±1.0% of F.S.
Linearity:	±1.0% of F.S.
Zero drift:	<LDL/day at lowest range <LDL/week at lowest range
Span drift:	<LDL/day at lowest range <LDL/week at lowest range
Response time (T ₉₀):	Within 120 sec at lowest range
Sample gas flow rate:	Approx. 0.7L/min
Indication:	Measured value, range, alarm, maintenance screen
Alarms:	During AIC, zero calibration error, span calibration error, temperature error in catalyzer, etc.
On-screen messages are available in four languages:	English, German, French, and Japanese.
Input/output:	0-1 V/0-10 V/4-20 mA, to be specified (2 systems: either (1) momentary value and integrated or (2) moving average value) •Contact input/output •RS-232C (option)
Ambient temperature:	5-40°C
Power:	100/110/115/120/220/230/240 VAC, 50/60 Hz (to be specified)
Dimensions:	430(W)×550(D)×221(H) mm
Mass:	Approx. 19 kg,



Ambient Gas Monitor (NOx) AGM NOx - 3370



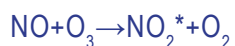
►► Features

- The AGM NOx-3370 uses a combination of the dual cross flow modulation type chemiluminescence principle and the referential calculation method. This gives it the advantages of the single-detector method plus the ability to do continuous measurements of NOx, NO, and NO₂. The design gives great stability and extremely high sensitivity (0.1 ppm F.S.)
- Standard equipment includes a drier unit with an automatic recycle function to provide dry ambient air as the ozone source. This makes long-term continuous measurements possible.
- The detector uses a silicon photodiode sensor to reduce size and prolong working life.
- All the necessary features are built right into a single rack-sized unit, including a reference-gas generator, an ozone-source drier unit, an ozone decomposer, and a sampling pump. No supplemental gas is required.

►► Principle

◆ Cross flow modulation type, reduced pressure chemiluminescence (CLD)

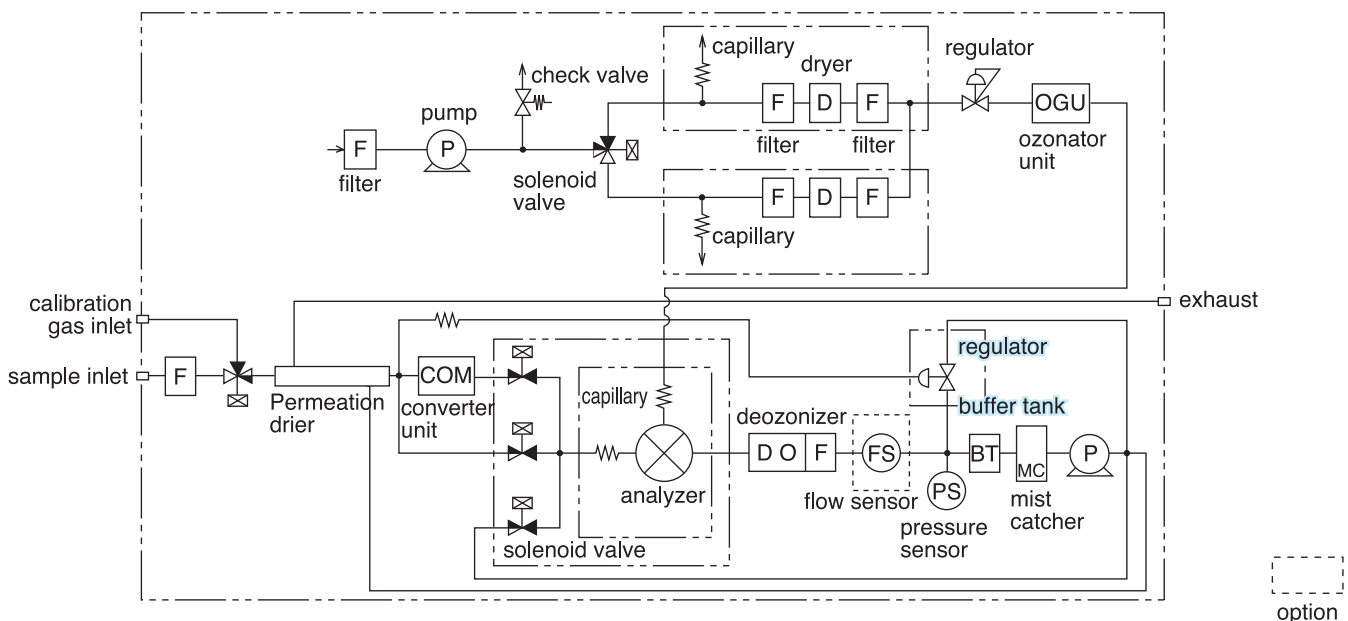
The chemiluminescence method uses the reaction of NO with O₃



A portion of the NO₂ generated as the result of this reaction becomes NO₂^{*}. As these excited molecules return to the ground state, chemiluminescence is generated in the range of 600 nm to 3,000 nm. The light intensity is in proportion to the concentration of NO molecules and by measuring it we obtain the NO concentration of the sample. A deoxidation converter changes the NO₂ to NO, which is measured. In other words, the NO₂ concentration can be obtained by the difference between (1) the NOx concentration measured when the sample gas is directed through a converter and (2) the NO concentration measured when the gas is not run through the converter.

►► Specification

Principle:	Cross flow modulation type, reduced pressure chemiluminescence (CLD)
Application:	NO ₂ , NO and NO _x in ambient air
Range:	Standard ranges: 0-0.1/0.2/0.5/1.0 ppm; auto range ~ manual range selectable; can be operated by remote switching. Optional (measurable) ranges: 4 ranges selectable from 0-10 ppm, within 10 times range ratio; auto range ~ manual range selectable; can be operated by remote switching.
Lower detectable limit:	0.5 ppb(3 sigma)
Repeatability:	±1.0% of F.S.
Linearity:	±1.0% of F.S.
Zero drift:	<LDL/day, at lowest range ±1.0 ppb/week at lowest range
Span drift:	<LDL/day at lowest range ±1.5 % of F.S./week
Response time (T ₉₀):	Within 90 sec at lowest range
Sample gas flow rate:	Approx. 0.8L/min
Indication:	Measured value, range, alarm, maintenance screen
Alarms:	During AIC, zero calibration error, span calibration error, temperature error in converter, etc.
On-screen messages are available in four languages:	English, German, French, and Japanese.
Input/output:	0-1 V/0-10 V/4-20 mA, to be specified (2 systems: either (1) momentary value and integrated or (2) moving average value) •Contact input/output •RS-232C (option)
Ambient temperature:	5-40°C
Power:	100/110/115/120/220/230/240 VAC, 50/60 Hz (to be specified)
Dimensions:	430(W)×550(D)×221(H) mm
Mass:	Approx. 21 kg,



Ambient Gas Monitor (THC)

AGM THC - 3370



►► Features

- The AGM THC-3370 uses a combination of the flame ionization detection method and selective-combustion. This gives it the advantage of the single-detector method plus the ability to perform continuous measurements, free of zero-drift, for THC, NMHC, and CH₄. The design gives great stability and high sensitivity (0-5 ppm F.S.)
- The AGM THC-3370 has a relative-sensitivity correction function for CH₄ and NMHC.
- All the necessary features are built right into a single rack-sized instrument, including a catalytic unit for selective combustion (i.e., an NMHC cutter); a catalytic unit for generating reference gas and auxiliary combustion air (standard); and a sampling pump. The only supplemental gas required is H₂.

►► Principle

◆ Flame ionization detection method (FID) with selective-combustion

The flame ionization detection method (FID) - used in combination with the selective-combustion system - utilizes the ionization that occurs as the result of the high-temperature energy from combustion at the tip of the burner jet when organic carbon compounds are introduced into the hydrogen flame. The hydrogen flame is located between two electrodes. When an electrical voltage is applied across these electrodes a minute ion current proportional to the hydrocarbon concentration is produced. This current is monitored by a low leakage amplifier, giving a voltage readout for THC. To measure CH₄ the sample gas is passed through the selective catalytic combustion unit (the NMHC cutter), which oxidizes NMHC without oxidizing CH₄. This is shown as A below. B represents the THC concentration measured without passing the gas through the NMHC cutter. Thus B - A will give the concentration of NMHC. The final concentration value is calculated using a relative-sensitivity correction coefficient, k, as shown below.

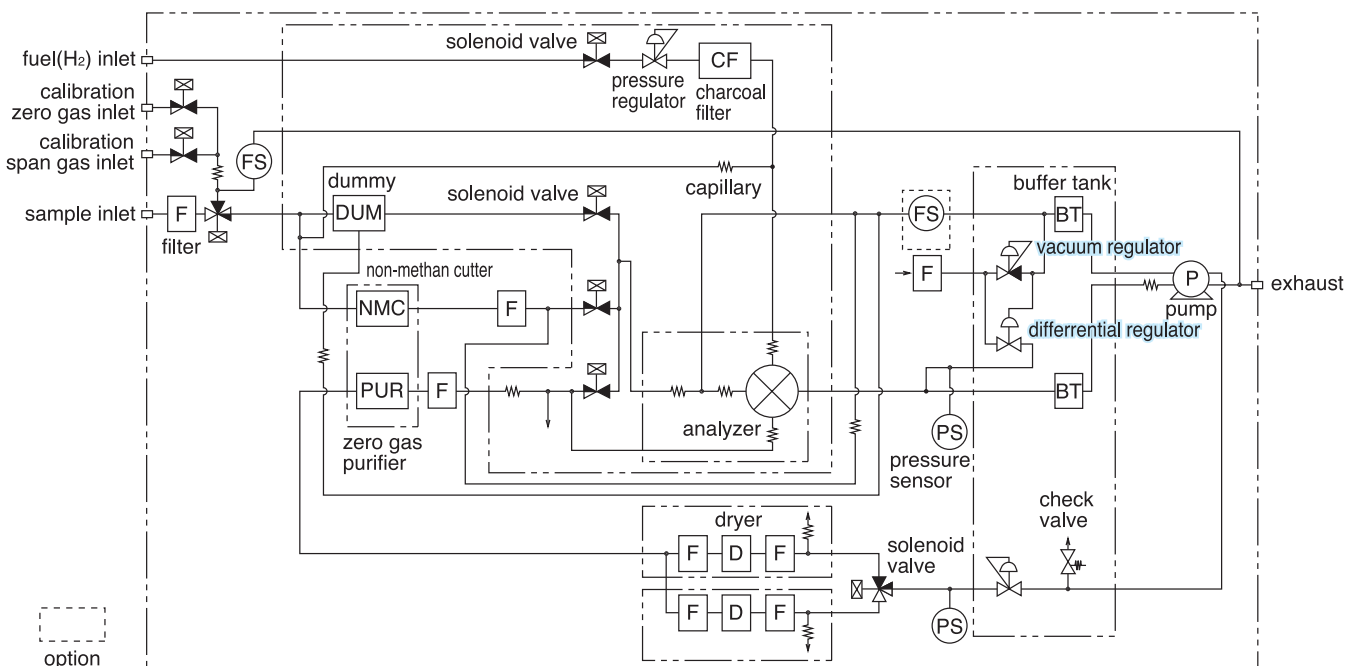
CH₄ Concentration A

NMHC Concentration k (B - A)

THC Concentration A + k (B - A)

►► Specification

Principle:	Flame ionization detection (FID) with selective combustion
Application:	THC, NMHC, and CH ₄ in ambient air
Range:	Standard ranges: 0-5/10/20/50 ppmC; auto range ~ manual range selectable; can be operated by remote switching. Optional (measurable) ranges: 4 ranges selectable from 0-100 ppm, within 10 times range ratio; auto range ~ manual range selectable; can be operated by remote switching.
Lower detectable limit:	0.022 ppmC(3 sigma)
Repeatability:	±1.0% of F.S.
Linearity:	±1.0% of F.S.
Zero drift:	<LDL/day, at lowest range ±0.05 ppmC/week at lowest range
Span drift:	<LDL/day at lowest range ±0.5 % F.S./week
Response time (T ₉₀):	Within 60 sec at lowest range
Sample gas flow rate:	Approx. 0.9L/min
Indication:	Measured value, range, alarm, maintenance screen
Alarms:	During AIC, zero calibration error, span calibration error, temperature error in zero gas purifier, ignition failure error, etc.
On-screen messages are available in four languages:	English, German, French, and Japanese.
Input/output:	0-1 V/0-10 V/4-20 mA, to be specified (2 systems: either (1) momentary value and integrated or (2) moving average value) • Contact input/output • RS-232C (option)
Ambient temperature:	5-40°C
Power:	100/110/115/120/220/230/240 VAC, 50/60 Hz (to be specified)
Dimensions:	430(W)×550(D)×221(H) mm
Mass:	Approx. 33 kg,
Notes:	ppmC is shown as symbol, not as unit.



Ambient Gas Monitor (O₃) AGM O₃ - 3370



►► Features

- The AGM O₃-3370 uses the cross flow modulation type, ultra-violet absorption method in conjunction with the comparative calculation method. This permits continuous measurement with great stability and high sensitivity (0.1 ppm F.S.)
- ATL innovative heated deozoneator provides reference gas by decomposing the O₃ found in the sample gas. This has the advantages of (1) reducing the influence from interference, (2) making the monitor insensitive to great changes in moisture content, and (3) prolonging the working life of the monitor.
- All gas connections are either PTFE or glass.

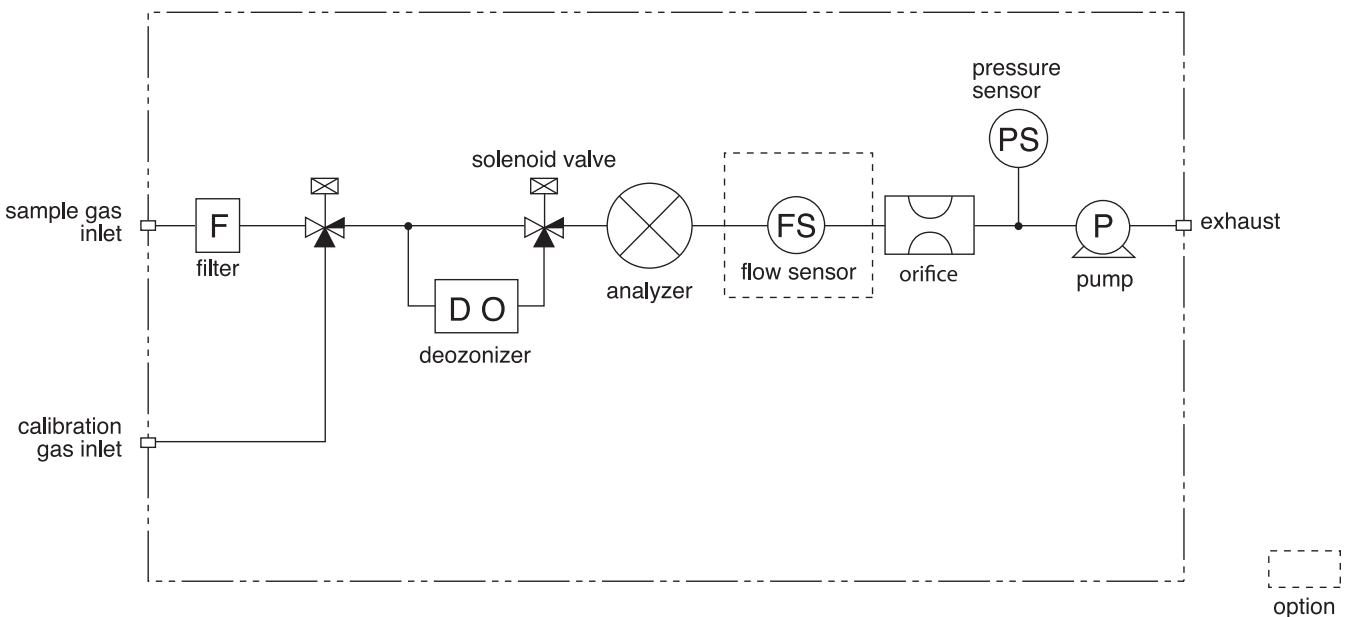
►► Principle

◆ Cross flow modulation type, Non dispersive ultra-violet absorption method (NDUV)

The ultra-violet absorption method works on the principle that ozone absorbs ultra-violet rays in the area of 254 nm. Measurements are taken from continuous, alternate injections of the sample gas and the reference gas into the measurement cell, controlled by a long-life solenoid valve. The cross flow modulation method is characteristically zero-drift free. A comparative calculation circuit automatically compensates for all fluctuations in the mercury vapor light source and in the detector. This means that, in principle, the AGM O₃-3370 makes it possible to carry out zero-span drift free, continuous measurements. In addition, ATL unique deozoneator for the comparison gas line is unaffected by interference elements or moisture retention, prolonged, stable measurement is possible.

►► Specification

Principle:	Cross flow modulation type, Ultra-violet-absorption method (NDUV)
Application:	O ₃ in ambient air
Range:	Standard ranges: 0-0.1/0.2/0.5/1.0 ppm; auto range ~ manual range selectable; can be operated by remote switching. Optional (measurable) ranges: 4 ranges selectable from 0-10 ppm, within 10 times range ratio; auto range ~ manual range selectable; can be operated by remote switching.
Lower detectable limit:	0.5 ppb(3 sigma)
Repeatability:	±1.0% of F.S.
Linearity:	±1.0% of F.S.
Zero drift:	<LDL/day, at lowest range <LDL/week at lowest range
Span drift:	<LDL/day at lowest range <LDL/week at lowest range
Response time (T ₉₀):	Within 75 sec at lowest range
Sample gas flow rate:	Approx. 0.7L/min
Indication:	Measured value, range, alarm, maintenance screen
Alarms:	During AIC, zero calibration error, span calibration error, temperature error in ozone separator, light intensity error, etc.
On-screen messages are available in four languages:	English, German, French, and Japanese.
Input/output:	0-1 V/0-10 V/4-20 mA, to be specified (2 systems: either (1) momentary value and integrated or (2) moving average value) • Contact input/output • RS-232C (option)
Ambient temperature:	5-40°C
Power:	100/110/115/120/220/230/240 VAC, 50/60 Hz (to be specified)
Dimensions:	430(W)×550(D)×221(H) mm
Mass:	Approx. 15 kg,



H₂S/TRS Measurement

Features • Principle

Combined use of the H₂S converter unit and the AGM: SO₂ Monitor makes H₂S measurement possible. The H₂S converter unit contains two types of catalyst: SOx scrubber and H₂S converter. SOx is removed by the SOx scrubber, and then the H₂S that has passed through is converted into SO₂ by the H₂S converter. This SO₂ is then measured by the AGM: SO₂ Monitor for display as H₂S concentration.

Specifications

Range: 0.1-0.1/0.2/0.5/1.0 ppm

Power: 100/110/115/120/220/230/240 VAC, 50/60 Hz

Dimensions: CU-1: 430(W)×550(D)×221(H) mm

AGM SO₂: 430(W)×550(D)×221(H) mm

Mass: CU-1: Approx. 10 kg

AGM SO₂: Approx. 25 kg

NH₃ Measurement

Features • Principle

Combined use of the NH₃ converter unit and the AGM: NOx Monitor makes NH₃ measurement possible. The NH₃ converter unit contains two types of catalyst tubes: one which converts NH₃ into NOx, and one which allows the NOx in the ambient air to pass through directly. The difference in NOx value between the two is measured by the AGM: NOx Monitor for display as NH₃ concentration.

Specifications

Range: 0-1/2/5-10 ppm

Power: 100/110/115/120/220/230/240 VAC, 50/60 Hz

Dimensions: CU-2: 430(W)×550(D)×310(H) mm

AGM NO_x: 430(W)×550(D)×221(H) mm

Mass: CU-2: Approx. 20 kg

AGM NO_x: Approx. 26 kg

Calibration Equipment

ATL offers various calibration products for optional use with the AGM-3370. ATL calibration equipment support mainly the following methods:

Option	AGM CO	AGM SO ₂	AGM NO _x	AGM THC	AGM O ₃
Internal or external permeation device for SO ₂ , H ₂ S, BTX, NO ₂ and many more		●	●		
External gas phase titration for NO/NO ₂			●		
Ozone generation with an internal or external O ₃ generator based on UV radiation					●

All calibrators can be equipped with thermal mass flow controllers or pressure regulators and capillaries depending on the precision requirements. Stationary and portable single components as well as multi-component calibrators are available upon client's specification. Corresponding interfaces as well as calibration and QC protocols can also be supplied.

Digital Calibrator

Features

ATL MCC-3000 is designed to calibrate gas analyzers manually, remotely controlled or automatically, installed in air pollution monitoring stations, for quality assurance in the laboratory and also for the production of gas analyzers.

A special feature of ATL MCC-3000 is the easily-to-read touch screen panel, for ease of operation. Characteristic of operation of ATL MCC-3000 is the intuitive, simple and user friendly menu. (Flow rate, mg/m³, ppb/ppm, automatic cycles etc.) Via the touch screen, it is possible to enter span gas concentrations or to start automatic routines like multi point calibration cycles.

Specifications

Principle: Dynamic generation of zero and span gas with mass flow controllers

Mass Flow

Controller (MFC): supports multi-point calibration

Power: 230 VAC ±10%, 50 Hz (other on request), 50 VA

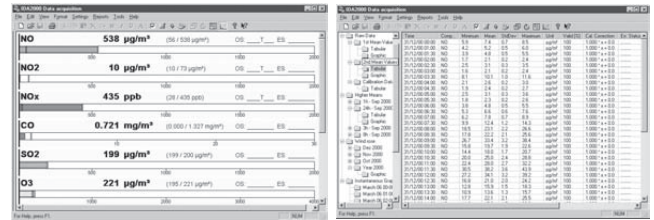
Dimensions: 430(W)×400(D)×120(H) mm (19") with brackets

Mass: Approx. 10 kg

Intelligent Data Acquisition System

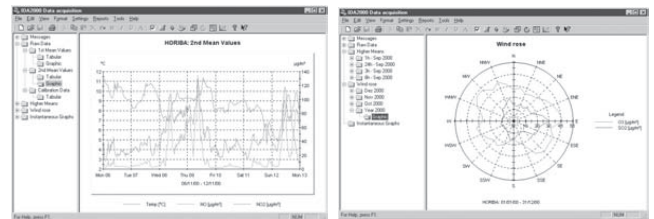
ATL IDA-3000

ATL IDA-3000 is an intelligent data acquisition system (DAS) using a desktop or industrial PC, designed for fully automatic monitoring stations. The entire data capture and mean value calculation as well as control of the analyzers is executed by 32bit multitasking software, running in a state-of-the-art Windows environment. It combines the power of a workstation with the ease of use, compatibility and productivity of a personal computer. The measured values as well as operating and error status messages are gathered in a 5-second interval from the analyzers. They are converted into engineering units, checked for plausibility and synchronously converted into two different averages. Automatic calibration routines in predefined intervals can be started either from the station computer or through a remote host computer. The DAS also supports the manual execution of calibration sequences as well as remote maintenance operations.



Bar graph of actual values

Tabular report of 2nd mean values



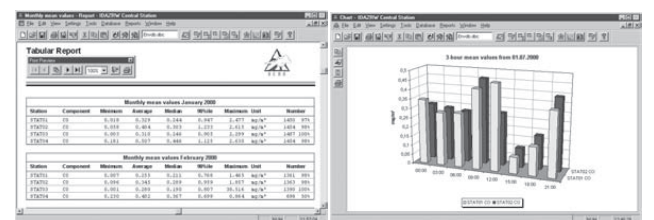
Graphic presentation of 2nd mean values

Wind rose

Data Management and Reporting Software

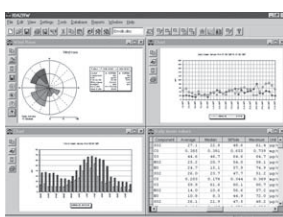
ATL IDA-ZRW 3000

ATL's IDA-ZRW 3000 is a data management and reporting software for use in Ambient Air Quality and Meteorological monitoring. The software package provides data collection, management, analysis and reporting. Measured data and related information is stored in a high-end relational SQL database. The software can be used stand-alone or run on several machines in a network environment operating in Microsoft Windows environments. Communication between Central & Remote Stations works with a wide variety of communication links, such as direct connections, short-haul modems, telephone (including cellular) and multi-drop. Data can be transferred to and presented in Internet pages according to customers requirements.

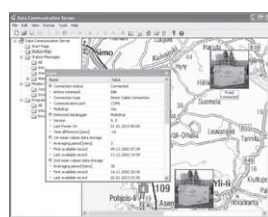


Report preview

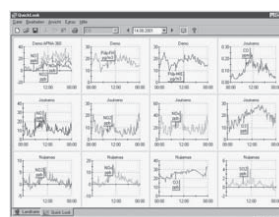
3D-column chart of 3h-means



Example of various reports



DCS main



Quick look



Quick look

▶▶ Complete Integrated System

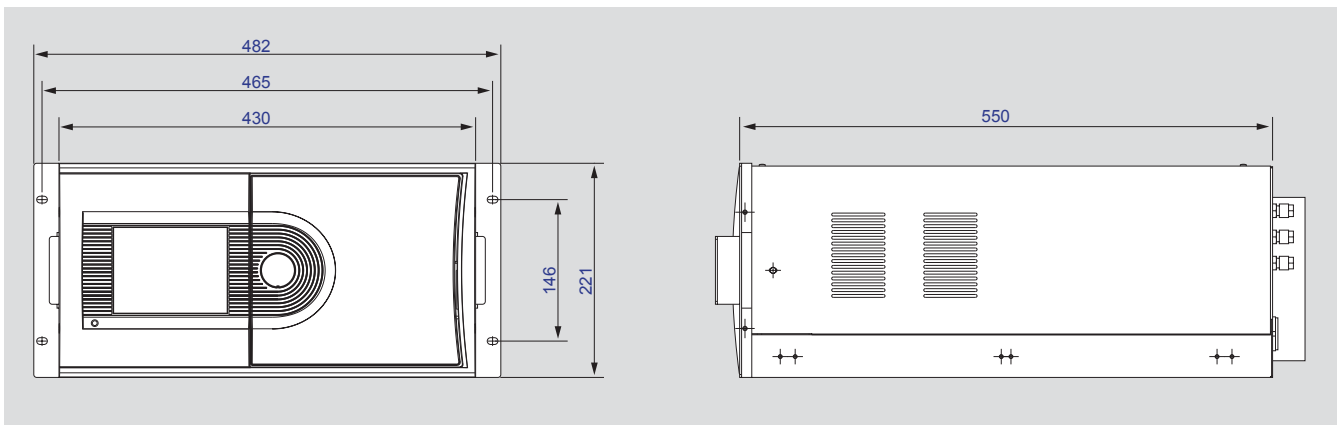
ATL designs, assembles, calibrates and tests complete integrated systems for simultaneously measuring multiple pollutants. A system for monitoring five pollutants can typically fit into one 19-inch rack. Rack-mounted systems can be installed in equipment rooms, stand-alone shelters, trailers, vans, large trucks, or aboard marine vessels. ATL can integrate products into existing monitoring systems, or design and build a new system.

▶▶ Standard 19-inch Packages

Each ATL AGM-3370 Series Monitor is package in a light metal enclosure with sliding chassis suitable for either a table-top set-up in a research laboratory or mounting on a standard 19-inch rack for permanent installation. All the controls and serviceable components are accessible from the front for easy maintenance while the plumbing and cable connections are neatly arranged at the back.

▲ Dimensional Outline Unit:mm

AGM CO-3370 / AGM SO₂-3370 / AGM NO_x-3370 / AGM THC-3370 / AGM O₃-3370



HPLC Servicing, Validation, Trainings and Preventive Maintenance :

HPLC Servicing :HPLC Servicing : We have team of service engineers who can attend to any make of HPLC promptly @the most affordable cost.

Trainings :We also take up preventive Maintenance to reduce downtime of HPLC's Trainings.

AMC's/CMC :AMC's/CMC :We offer user training both in-House and at customer sites on HPLC principles, operations, trouble-shooting.

Validations :Validations :We have protocols for carrying out periodic Validations as per GLP/GMP/USFDA norms.

Instruments :Instruments :We offer instruments/Renting Services Modules like pumps,detector etc. on Rent.



About Analytical Technologies

Analytical Technologies is synonymous for offering technologies for doing analysis and is the Fastest Growing Global Brand having presence in at least 96 countries across the global. Analytical Technologies Limited is an ISO:9001 Certified Company engaged in Designing, Manufacturing, Marketing & providing Services for the Analytical, Chromatography, Spectroscopy, Bio Technology, Bio Medical, Clinical Diagnostics, Material Science & General Laboratory Instrumentation. Analytical Technologies, India has across the Country operations with at least 4 Regional Offices, 6 Branch Offices & Service Centers. Distributors & Channel partners worldwide.

Our Products & Technologies



UV/VIS
Spectro 2080+
Double Beam



Infra FTIR



Optima Gas
Chromatograph
3007



Optima Gas
Chromatograph
2979 Plus



Flash
Chromatograph



Atomic Absorption
Spectrophotometer



Liquid Particle
Counter



Optical Emission
Spectrophotometer



DSC/TGA



Semi Auto Bio
Chemistry Analyzer



HEMA 2062
Hematology
Analyzer



Micro Plate
Reader/Washer



URINOVA 2800
Urine Analyzer



Total Organic
Carbon 3800



Fully Automated
CLIA



NOVA-2100
Chemistry Analyzer



PCR/Gradient PCR/
RTPCR



TOC
Analyzer



Laser Particle
Size Analyzer



Ion Chromatograph



Water purification
system

Regulatory compliances



Corporate Social Responsibility

Analytical Foundation is a nonprofit organization (NGO) found for the purpose of:



Analytical Foundation

1. Research & Innovation Scientist's awards/QC Professional Award : Quality life is possible by innovation only and the innovation is possible by research only, hence ANALYTICAL FOUNDATION is committed to identify such personalities for their contributions across various field of Science and Technology and awarding them yearly. To participate for award, send us your details of research / testing / publication at Info@analyticalfoundation.org

2. Improving quality of life by offering YOGA Training courses, Work shops/Seminars etc.

3. ANALYTICAL FOUNDATION aims to DETOXIFY human minds,souls and body by means of yoga, Meditation, Ayurveda, Health Care, Awards, Media, Events, Camps etc.

Reach us @



 **Analytical**®
Technologies Limited

HPLC Solutions MultipleLabs Analytical Bio-Med Analytical Distributors Analytical Foundation (Trust)

Corporate & Regd. Office:
Analytical House, # E67 & E68,
Ravi Park, Vasna Road, Baroda,
Gujarat 390 015. INDIA

T: +91 265 2253620
+91 265 2252839
+91 265 2252370
F: +91 265 2254395

E: info@hplctechnologies.com
info@multiplelabs.com
info@analyticalgroup.net
info@analyticalbiomed.com

W. www.analycalgroup.net
www.hplctechnologies.com
www.multiplelabs.com
www.ais-india.com

Sales & Support Offices:
across the country :
Distributors & Channel
partners World Wide